

PRODUCTIVE ACCURACY

852 SERIES

FLAT SHEET CONDITIONING



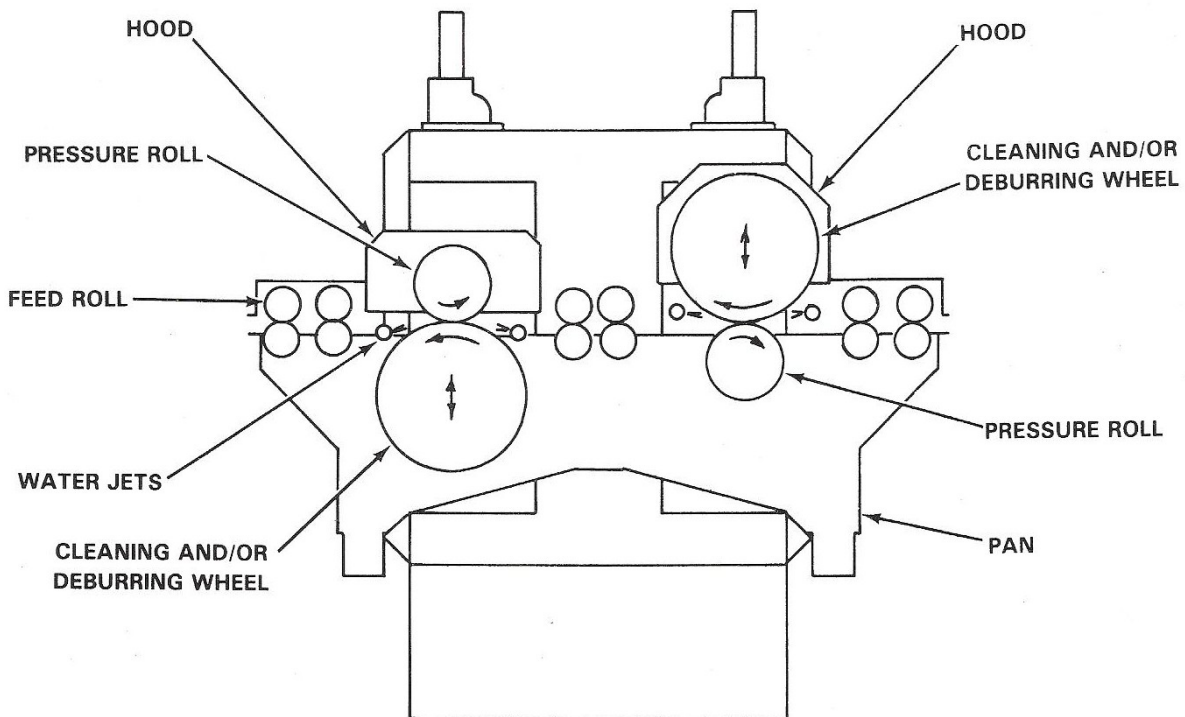
Cleaning of caul plates used in high pressure laminate production. Also for deburring and surface finishing of flat parts and coil stock.

CURTIN-HEBERT MACHINES

11 Forest Street P.O. Box 511
Gloversville, New York 12078-0511
PH 518-725-7157 FAX 518-773-3805

EMAIL: www.info@curtinhebert.com

- * AUTOMATIC THICKNESS COMPENSATION
- * 12" OR 14" DIAMETER ABRASIVE WHEELS OR BRUSHES
- * QUICK CHANGE 3 PIECE ARBORS
- * SMOOTH SINE WAVE OSCILLATION
- * WIRED TO MEET JIC ELECTRICAL STANDARDS FOR GENERAL PURPOSE MACHINE TOOLS
- * TRIPLE LIP SEALS IN ALL BEARINGS
- * WEIGHT 11,000 LBS.
- * DIMENSIONS: 13' WIDE X 6' DEEP X 5' HIGH



Demonstration equipment available at our Gloversville Plant.
Send or bring us your samples or finishing problems.