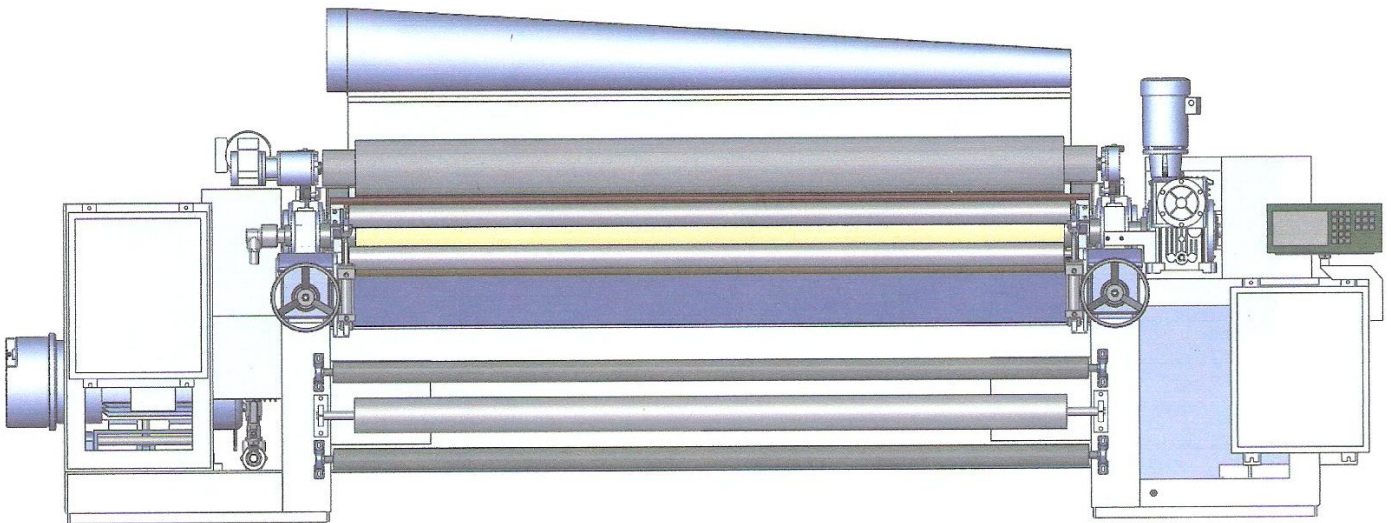


PRODUCTIVE ACCURACY

711 SERIES

PRECISION GRINDING ON FLEXIBLE NON-METALLIC PRODUCTS



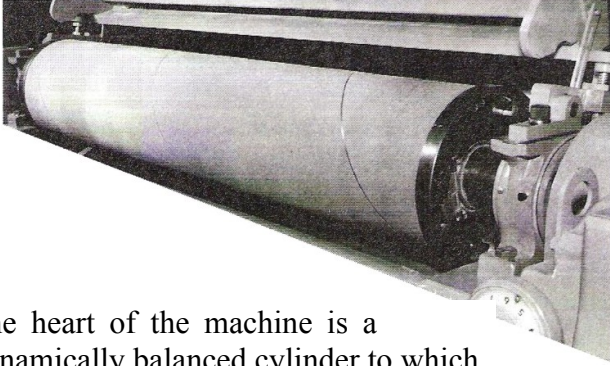
- * PRINTERS BLANKET
- * GASKET MATERIALS
- * CORK PRODUCTS
- * URETHANES AND VINYLs

AVAILABLE IN WIDTHS UP TO 100 INCHES

CURTIN-HEBERT MACHINES

11 Forest Street P.O. Box 511
Gloversville, New York 12078-0511
PH 518-725-7157 FAX 518-773-3805

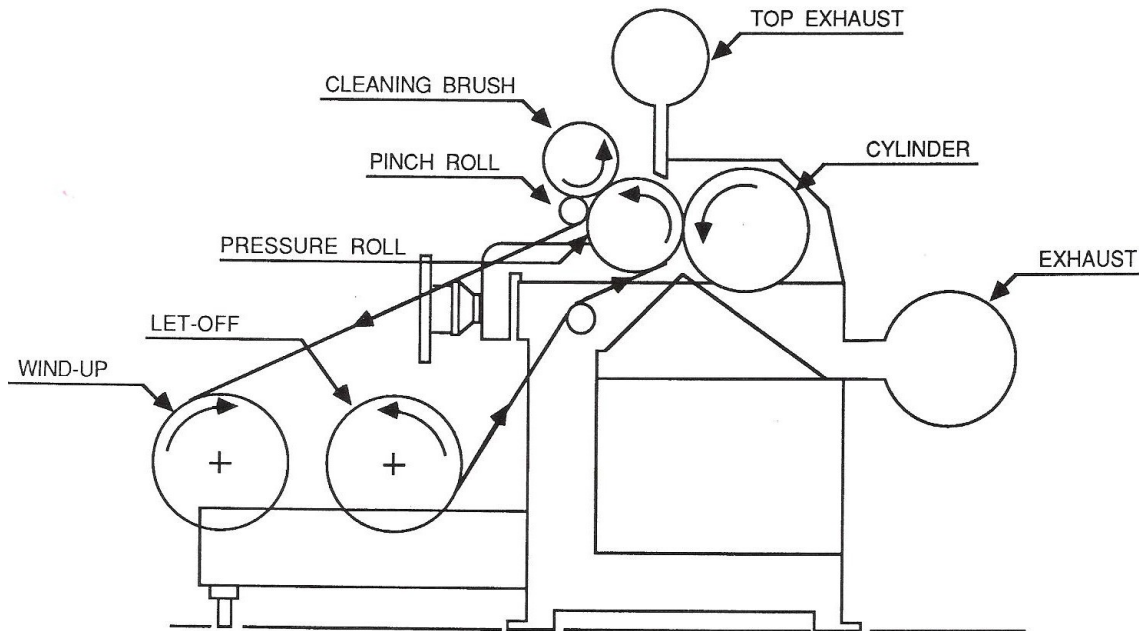
EMAIL: www.info@curtinhebert.com



The heart of the machine is a dynamically balanced cylinder to which industrial coated abrasive is applied. The cylinder is drilled for water circulation to help diffuse friction heat, preventing distortion of the .0005" concentricity.

The position of the pressure roll in respect to the cylinder is controlled by micrometer had-wheels graduated in .001". The adjustment is so accurate that print can be sanded from ordinary newspaper without harming the paper itself.

Below is an illustration of material flow as it passes over the rubber pressure roll to come into contact with the machine's cylinder. From the cylinder, it continues on to a material cleaning brush and then exits from the machine.



Demonstration equipment available at our Gloversville Plant.
Send or bring us your samples or finishing problems.